

## General description

Gateway for the integration of Midea air conditioning systems with the BUSing® system. Direct connection to BUS of Midea indoor unit (HA and HB) through 2 wires with no polarity.

It allows to individually control the setpoint temperature, the measured temperature, the operation mode of the units (cooling, heating, ventilation, drying or automatic) and the ventilation speed (low, medium, high).

It doesn't support master/slave due to it can work either with Midea remote controller connected or without it, being priority the last order received.

## Technical information

**Supply** – 9-16 Vdc from BUS

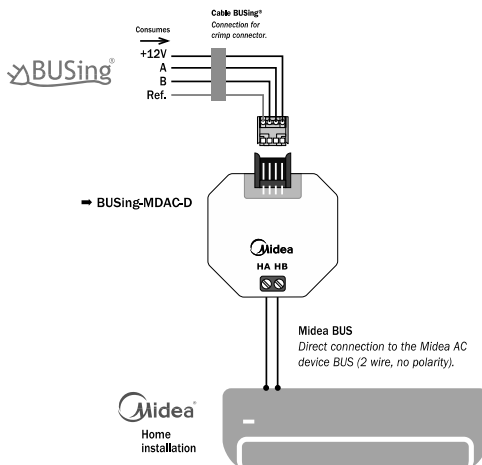
**Consumption** – 25 mA from BUS

**Mounting** – 50 x 55 x 14 mm to install in universal distribution boxes.

**Environment temperature range** - Operation: -10°C a 55°C / Storage: -30°C a 60°C / Transportation: -30°C a 60°C.

**Regulation** - According to the directives of electromagnetic compatibility and low voltage. EN 50090-2-2 / UNE-EN 61000-6-3:2007 / UNE-EN 61000-6-1:2007 / UNE-EN 61010-1. Resistance to residual currents CTI 175. Complementary characteristics Class L. Continuous operation Clean Environment Overvoltage immunity category II. Flammability category D.

## Installation



## Remarks

Upload of data generated in the SIDE via BUSing cable.

BUS maximum distance between each device: 300m.

Attention to supply (losses in the cable).

Feed low voltage lines (BUS and inputs) in separate ducting to that of power (230V) and outputs.

Use shielded flexible 4 wires x 0,22mm<sup>2</sup> cable for the BUS.

## QR Code

