



General description

Gateway for the integration of Panasonic air conditioning systems, series ECOi and PACi, with the BUSing® system. Direct connection to AC indoor unit (2 wire with polarity). It allows to control one Panasonic indoor unit*.

It permits to individually control the setpoint temperature, the measured temperature, the operation mode of the units (cooling, heating, ventilation, drying or automatic) and the ventilation speed (low, medium, high).

*Check compatibilities.

Technical information

Supply – 9 - 16 Vdc from BUS

Consumption – 12 mA from BUS

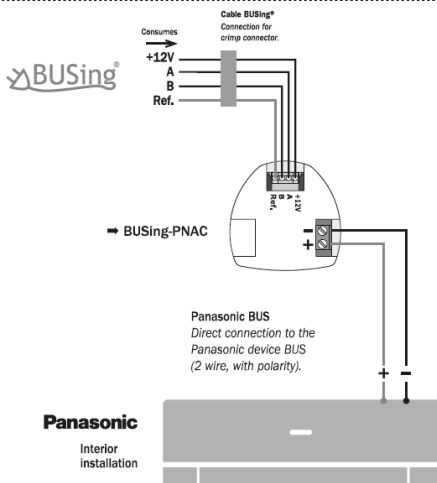
Mounting – hidden next to AC unit or ceiling integration

Size – 42 x 42 x 15 mm

Environment temperature range - Operation: -10°C a 55°C / Storage: -30°C to 60°C / Transportation: -30°C a 60°C.

Regulation - According to the directives of electromagnetic compatibility and low voltage. EN 50090-2-2 / UNE-EN 61000-6-3:2007 / UNE-EN 61000-6-1:2007 / UNE-EN 61010-1. Type of connection: to BUS via T connector and crimp connectors. Resistance to residual currents CTI 175. Complementary characteristics Class L. Continuous operation Clean Environment Overvoltage immunity category II. Flammability category D.

Installation



NOTE: voltage on the indoor unit must be measured (on R1 and R2) in order to know the polarity and connect the 2 wires correctly between the indoor unit and the gateway.

Remarks

Upload of data generated in the SIDE via BUSing cable.

BUS maximum distance between each device: 300m.

Attention to supply (losses in the cable).

Feed low voltage lines (BUS and inputs) in separate ducting to that of power (230V) and outputs.

Use shielded flexible 4 wires x 0,22 mm² for the BUS.

More info

