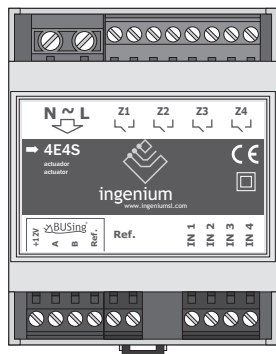


input/output

➔ 4E4S [4E4S · 4E4S-F4A]

4 digital inputs and 4 digital outputs actuator

To control 4 electrical loads or 2 blinds/curtains.



- 4 digital inputs low voltage (SELV) referred to BUS mass
- 4 digital outputs with potential free relay depending on model
- Integrated power supply (depending on model) capable of delivering 150mA power to other BUS devices
- Remembers last position when power fails
- Programmable inputs to work with switches or pushbutton
- 2 programmable BUS events for each input
- DIN rail mounting (4 modules) or in a distribution box, 70mm depth



Description

The 4E4S is an on/off actuator equipped with 4 relay outputs with potential free switching capacity of 10A output and 4 inputs for low voltage (SELV) referred to BUS mass.

From the Development System (SIDE) is possible to assign sequences of 15 characters for each one of the outputs and entries. You can also set the mode of operation of each of the inputs (button, switch or electric blinds mode), and two BUS events for each input (one trigger event and one-off), allowing thus acting on any element of the installation from the device inputs.

4E4S-F4A version is indicated for the control of fluorescent or LEDs preceded by a transformer, by having triac outputs triac outputs (not suitable for DC).

Inputs

- 4 digital inputs low voltage (SELV) 5V, minimum activation current 5mA.
- Active when connected to BUS mass.
- Maximum distance from device to switch or push-button, 30m.
- Configurable hardware and software filter through Development System (SIDE).

Outputs

- 2 digital outputs with potential free relay.
- Switching capacity depending on model. To control circuits with higher power interlay a contactor.
- Deactivated: Triac open. Activated: Triac closed.

Technical characteristics

Device Reference	Voltage Supply	Max. Power Consumption	Current Given	Current Consumption	No. Outputs	Switching capacity of outputs
4E4S	230V AC	2.8VA @ 230V AC	150mA (BUS)	120mA* (BUS)	4** (relay)	10A (each output)
4E4S-F4A	230V AC	2.8VA @ 230V AC	150mA (BUS)	120mA* (BUS)	4** (triac)	12A (summing all outputs)

* without connection to 230V AC

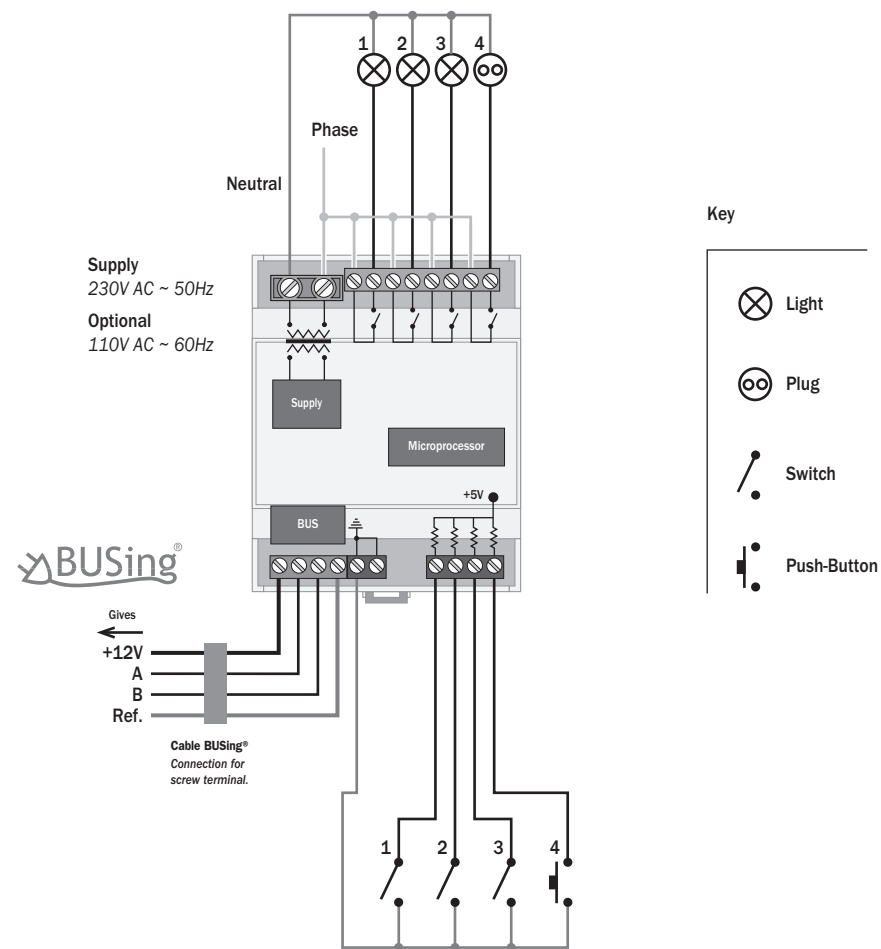
** potential free outputs

➔ 4E4S

Installation

4E4S output wiring

Maximum power per output, 10A resistive load.



4E4S input wiring

All inputs are SELV. They are internally referred to 5V and they are activated when connected to Ref.