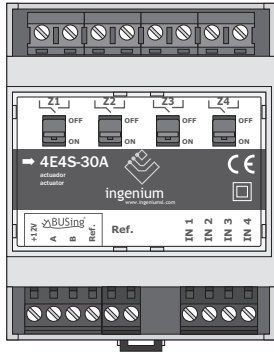


## ➔ 4E4S-30A

### 4 digital input 4 digital output actuator

To control 4 electrical loads or 2 blinds/curtains.



- 4 digital inputs Low Voltage (SELV) referred to BUS mass
- 4 digital outputs power free by model
- Remembers last position when power fails
- Programmable inputs to work with switches or pushbutton
- 2 programmable BUS events each entry
- DIN rail mounting (4 modules) or in a distribution box, 70mm depth



#### Description

The 4E4S-30A is an on/off actuator equipped with 4 relay outputs power free with a breaking capacity of 30A, 4 low voltage inputs (SELV) referred to BUS mass.

From the Development System (SIDE) is possible to assign sequences of 15 characters for each one of the outputs and entries. You can also set the mode of operation of each of the inputs (button, switch or electric blinds mode), and two BUS events for each input (one trigger event and one-off), allowing thus acting on any element of the installation from the device inputs.

This version of 4E4S, is indicated for the control of lighting capacitive outputs, appliances, etc. Not connection available to 230 V, so it does not provide power to the BUS, rather uses it. Also the relays incorporate a manual reset.

#### Inputs

- 4 digital inputs low voltage (SELV) 5V, minimum activation current 5mA.
- Active when connected to BUS mass.
- Maximum wiring distance to switch or pushbutton: 30m.
- Programmable filter hardware and software from the Development System (SIDE).

#### Outputs

- 4 digital triac outputs.
- Switching capacity 30A @ 230V AC per output. To control circuits with higher power interlay a contactor.
- Deactivated: Triac open. Activated: Triac closed.

#### Technical characteristics

| Device Reference | Voltage Supply | Current Consumption | No. Outputs | Switching capacity of each output |
|------------------|----------------|---------------------|-------------|-----------------------------------|
| 4E4S-30A         | 9-16V DC (BUS) | 25mA (BUS)          | 4* (relay)  | 30A                               |

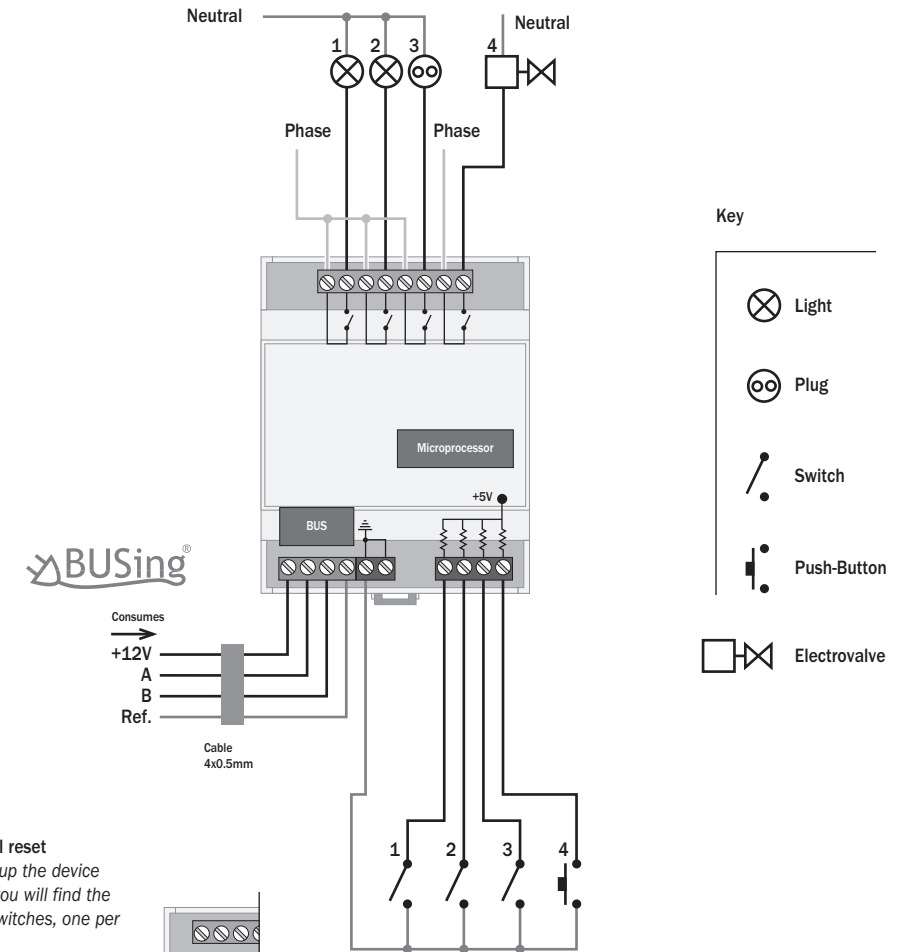
\* potential free outputs

## ➔ 4E4S-30A

### Installation

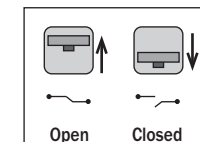
#### 4E4S-30A output wiring

Maximum power per output, 30A resistive load.



#### Manual reset

Lifting up the device cover you will find the relay switches, one per output



#### 4E4S-30A input wiring

All inputs are SELV.

They are internally referred to 5V and they are activated when connected to Ref.