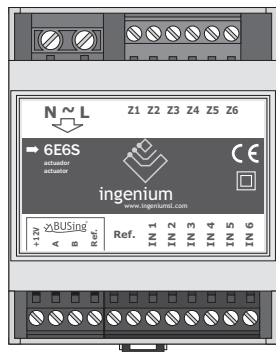


# input/output

## ➔ 6E6S [ 6E6S · 6E6S-F2A ]

### 6 digital inputs and 6 digital outputs actuator

To control 6 electrical loads or 3 blinds/curtains.



- 6 digital inputs low voltage (SELV) referred to BUS mass
- 6 digital outputs with potential free relay depending on model
- Integrated power supply (depending on model) capable of delivering 150mA power to other BUS devices
- Remembers last position when power fails
- Programmable inputs to work with switches or pushbutton
- 2 programmable BUS events for each input
- DIN rail mounting (4 modules) or in a distribution box, 70mm depth



#### Description

The 6E6S is an on/off actuator equipped with 6 digital outputs to relay internally connected to phase with a switching capacity of 6A per output and 6 digital inputs low voltage (SELV) referred to BUS mass.

From the Development System (SIDE) is possible to assign sequences of 15 characters for each one of the outputs and entries. You can also set the mode of operation of each of the inputs (button, switch or electric blinds mode), and two BUS events for each input (one trigger event and one-off), allowing thus acting on any element of the installation from the device inputs.

6E6S-F2A version is indicated for the control of fluorescent or LEDs preceded by a transformer, by having triac outputs (not suitable for DC).

#### Inputs

- 6 digital inputs low voltage (SELV) 5V, minimum activation current 5mA.
- Active when connected to BUS mass.
- Maximum distance from device to switch or push-button, 30m.
- Configurable hardware and software filter through Development System (SIDE).

#### Outputs

- 6 digital outputs internally connected to phase.
- Switching capacity depending on model. To control circuits with higher power interlay a contactor.
- Deactivated: Relay/Triac open. Activated: Relay/Triac closed.

#### Technical Characteristics

Device Reference	Voltage Supply	Max. Power Consumption	Current Given	Current Consumption	No. Outputs	Switching capacity of outputs
6E6S	230V AC	2.8VA @ 230V AC	150mA (BUS)	120mA* (BUS)	6** (relay)	6A (each output)
6E6S-F2A	230V AC	2.8VA @ 230V AC	150mA (BUS)	120mA* (BUS)	6** (triac)	12A (summing all outputs)

\* without connection to 230V AC.

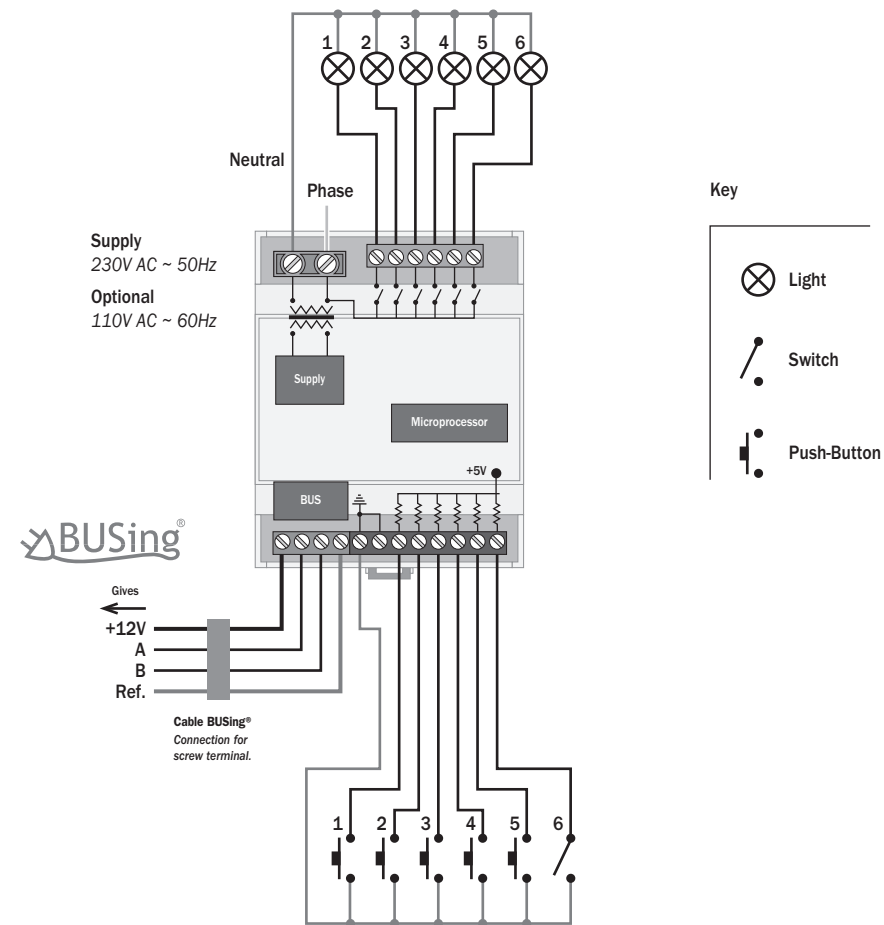
\*\* internally connected to phase outputs

## ➔ 6E6S

### Installation

#### 6E6S output wiring

Maximum power per output, 6A resistive load.  
For the 6E6S-F2A version, 12A summing all outputs.



#### 6E6S input wiring

All inputs are SELV.  
They are internally referred to 5V and they are activated when connected to Ref.