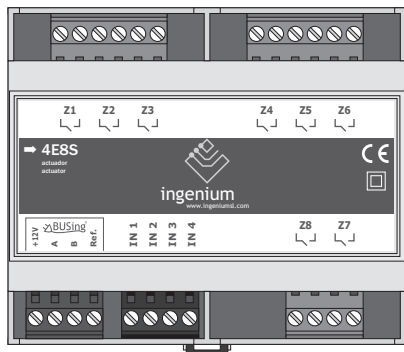


➔ 4E8S

4 digital input 8 digital output actuator

To control 8 electrical loads or 4 blinds/curtains.



- 4 digital inputs Low Voltage (SELV) referred to BUS mass
- 8 digital outputs power free by model
- Remembers last position when power fails
- Programmable inputs to work with switches or pushbutton
- 2 programmable BUS events each entry
- DIN rail mounting (6 modules) or in a distribution box, 70mm depth



Description

The 4E8S is an on/off actuator equipped with 8 relay outputs power free with a breaking capacity of 10A, 4 low voltage inputs (SELV) referred to BUS mass.

From the Development System (SIDE) is possible to assign sequences of 15 characters for each one of the outputs and entries. You can also set the mode of operation of each of the outputs and two BUS events for each input (one trigger event and one-off), allowing thus acting on any element of the installation from the device inputs.

Inputs

- 4 digital inputs low voltage (SELV) 5V, minimum activation current 5mA.
- Active when connected to BUS mass.
- Maximum wiring distance to switch or pushbutton: 30m.
- Programmable filter hardware and software from the Development System (SIDE).

Outputs

- 8 digital triac outputs.
- Switching capacity 10A @ 230V AC per output. To control circuits with higher power interlay a contactor.
- Deactivated: Triac open. Activated: Triac closed.

Technical characteristics

Device Reference	Voltage Supply	Current Consumption	No. Outputs	Switching capacity of each output
4E8S	9-16V DC (BUS)	300mA (BUS)	8* (relay)	10A

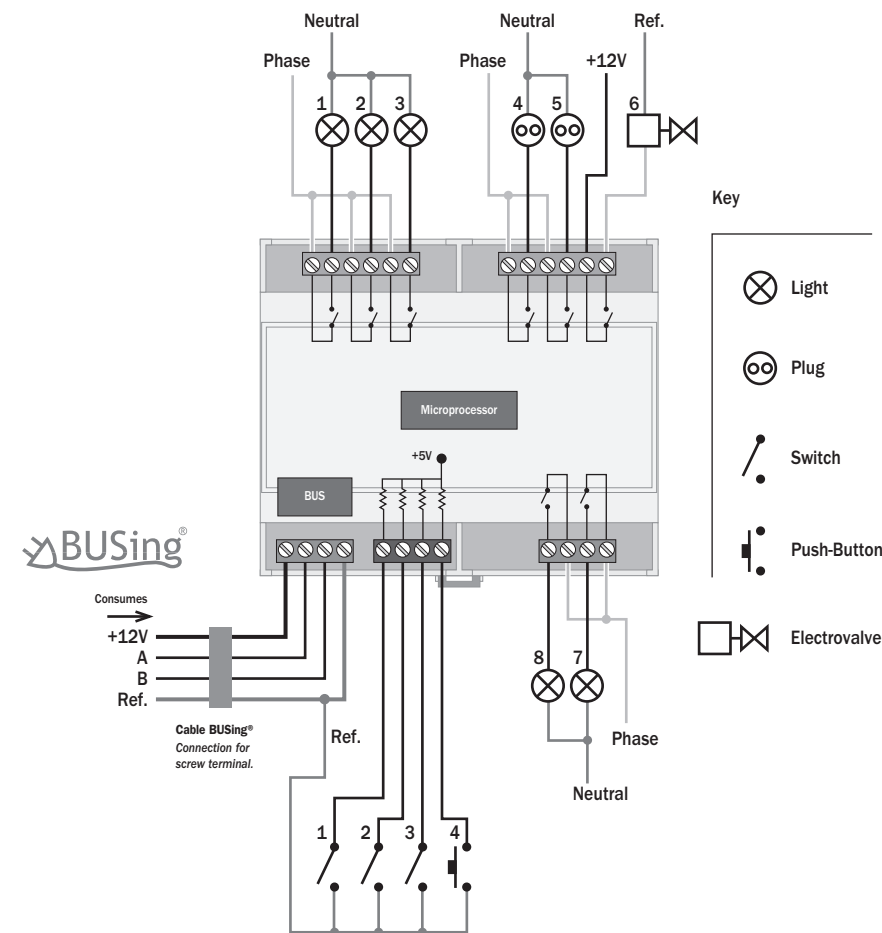
* potential free outputs

➔ 4E8S

Installation

4E8S output wiring

Maximum power per output, 10A resistive load.



4E8S input wiring

All inputs are SELV. They are internally referred to 5V and they are activated when connected to Ref.