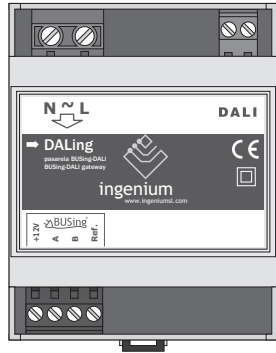


# dimmers

## ➔ DALing

### Gateway BUSing® - DALI

Allows digital control of lighting with DALI protocol.



- Gateway control for luminaires with DALI protocol
- DALI power supply built
- DIN rail mounting (6 modules)



#### Description

The DALing gateway is a device that acts as a control interface for luminaires with DALI protocol through BUSing® teams. With this device you can control up to 64 DALI luminaires + 16 luminaires groups, providing power required to include an integrated source.

As with any other controller, you can control the DALI lighting control system from anywhere, from touch-screens, buttons, PC, etc. On the other hand it is possible to make a more complete control, and address and direct parameters of each fixture using the DALI master (reference: iDALing) along this gateway.

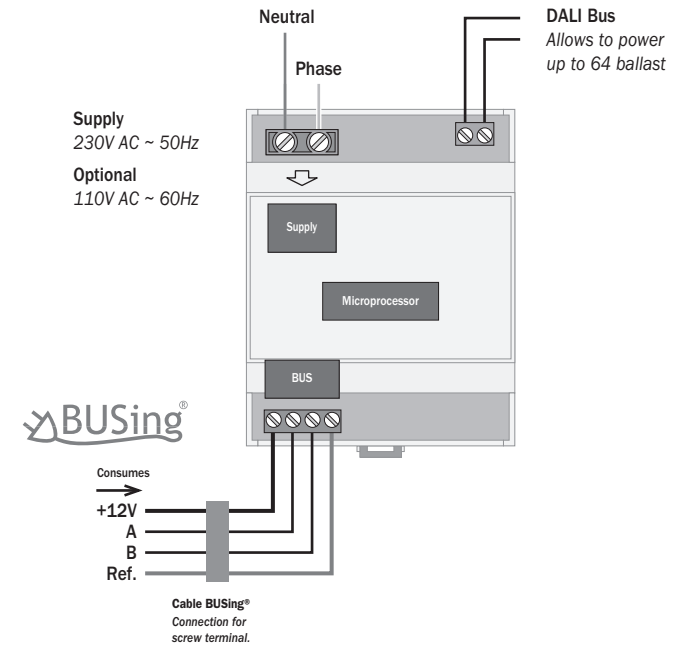
#### Technical Characteristics

Device Reference	Voltage Supply	Max. Power Consumption	Current Consumption	No. Controllable Luminaries
DALing	230V AC	2.8VA @ 230V AC	25mA (BUS)	64+16dir. group

## ➔ DALing

### Basic installation

See DALI integration example in next page



# integration schemes

## DALI - BUSing® integration

On this page we show an example of integration between BUSing® installation and installation of luminaires DALI. By the BUSing® touch-screen is possible to control the lights.

