

➔ 2E2S-C30A

2 digital inputs and 2 digital outputs actuator

To control 2 electrical loads or 1 blind/curtain.



- 2 digital inputs low voltage (SELV) referred to the BUS mass
- 2 digital outputs with potential free relay
- Remembers last position when power fails
- Programmable inputs to work with switches or pushbutton
- 2 programmable BUS events for each input
- DIN Rail Mount (2 modules)



Description

The 2E2S-C30A is an on/off actuator equipped with 2 relay outputs with potential free switching capacity of 30A output and 2 inputs for low voltage (SELV) referred to BUS mass.

From the Development System (SIDE) is possible to assign sequences of 15 characters for each one of the outputs and entries. You can also set the mode of operation of each of the inputs (button, switch or electric blinds mode), and two BUS events for each input (one trigger event and one-off), allowing thus acting on any element of the installation from the device inputs.

This version of 2E2S, is indicated for the control of lighting capacitive outputs, appliances, etc. Not connection available to 230V AC, so it does not provide power to the BUS, rather uses it. Also the relays incorporate a manual reset.

Inputs

- 2 digital inputs low voltage (SELV) 5V, minimum activation current 5mA.
- Active when connected to BUS mass.
- Maximum wiring distance to switch or pushbutton: 30m.
- Programmable filter hardware and software from the Development System (SIDE).

Outputs

- 2 digital triac outputs.
- Switching capacity 2A @ 230V AC per output. To control circuits with higher power interlay a contactor.
- Deactivated: Triac open. Activated: Triac closed.

Technical Characteristics

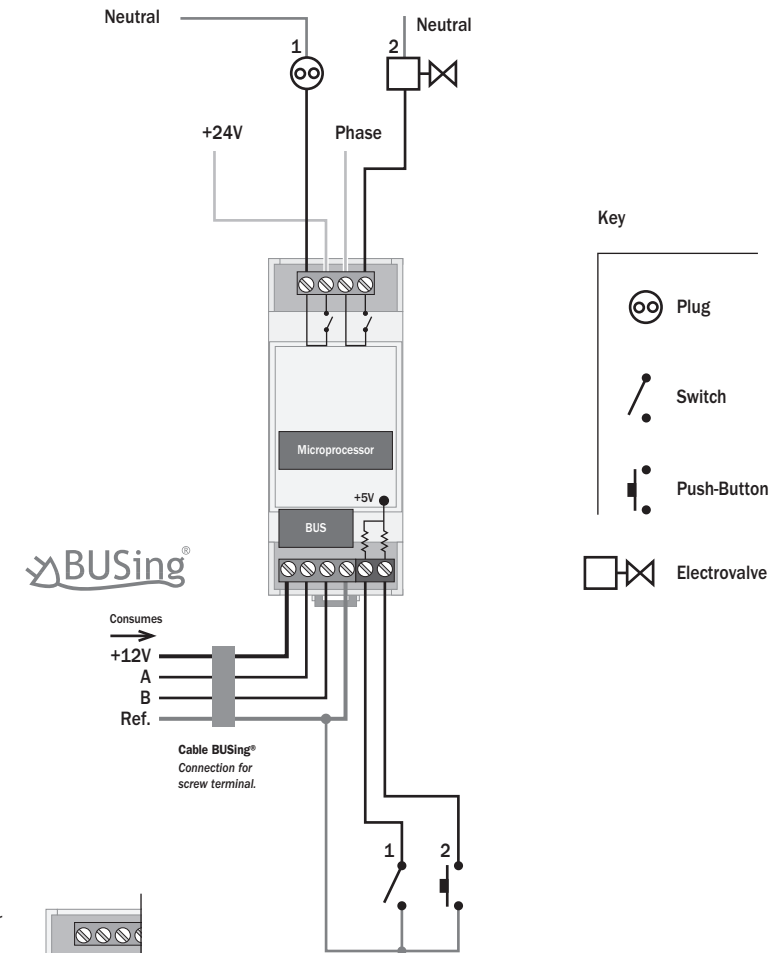
Device Reference	Voltage Supply	Current Consumption	Start-up Consumption	No. Outputs	Switching capacity of each output
2E2S-C30A	9–16V DC (BUS)	12mA (BUS)	400mA >= 3seg	2* (relay)	30A

* potential free outputs

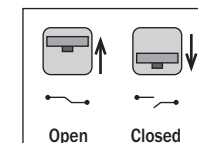
➔ 2E2S-C30A

Installation

2E2S-C30A output wiring
Maximum power per output, 30A resistive load.



Manual reset
Lifting up the device cover you will find the relay switches, one per output



2E2S-C30A input wiring
All inputs are SELV.
They are internally referred to 5V and they are activated when connected to Ref.