

General description

The 6E6S is an on/off actuator equipped with 6 digital outputs to relay. The outputs are internally connected to the feed-in phase of the device. The switching capacity is 6A per output. The device is also provided of 6 digital low voltage inputs (SELV) referred to BUS earth. Besides, they include 2 logical gates programmable through SIDE (one AND gate and one OR gate).

6E6S-F2A version, with 6 triac outputs and 6 low voltage inputs referred to the BUS reference.

Capacity

This device is normally used to control blinds and/or every other kind of electrical device. Operating voltage: 230 V. The outputs to relays are internally connected to phase. Its 6 outputs to relays allow to control 6 on / off electrical circuits or 3 blinds (2 outputs per blind: one to raise the blind, the other one to lower the blind).

Switching capacity 6A @ 230V AC per output. If necessary, insert a contactor to control higher power circuits.

6E6S-F2A is exclusively indicated to control fluorescence lighting or LEDs lighting preceded by a transformer because of its triac outputs. (Not suitable for direct current)

Technical information

Supply – 230 Vac

Max. Power consumption - 2,8 VA

Given current - 150mA @ 12Vdc

Inputs - 6 low voltage inputs (SELV) referred to the BUS reference (minimum activation current 5mA).

Outputs – **6E6S**: 6 digital outputs to relay internally connected to phase. Cut-off capacity 6A @ 230V AC per output. Deactivated: relay open. Activated: relay closed.

6E6S-F2A: 6 triac output with cut-off capacity of 2A @230Vac per output.

Mounting –DIN rail (4 Modules)

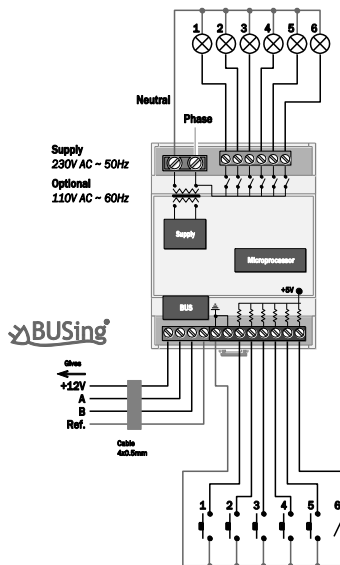
Environment temperature range - Operation: from -10°C to 55°C / Storage: from -30°C to 60°C / Transportation: from -30°C to 60°C.

Regulation - According to the directives of electromagnetic compatibility and low voltage •EN 50090-2-2 / UNE-EN 61000-6-3:2007/ UNE-EN 61000-6-1:2007 / UNE-EN 61010-1.

Installation

6E6S output wiring

Maximum power per output, 6A resistive load.
For the 6E6S-F2A version, 12A summing all outputs.



6E6S input wiring

All inputs are SELV.
They are internally referred to 5V and they are activated when connected to Ref.

Remarks

- It is recommended to distribute power supplies and to take care with wire section to avoid voltage drops in the BUS line.
- Feed low voltage lines (BUS and inputs) in separate ducting to that of power (230V) and outputs.
- Use flexible shielded 4 x 0,5 mm² or 2 x 0,5 mm² + 2 x 0,22 mm² cable for the BUS.

⚠ DO NOT INSTALL AND/OR HANDLE IN VOLTAGE. RISK OF FAILURE AND/OR PHYSICAL DAMAGE.

QR-Code

