

General description

Gateway for the integration of DAIKIN air conditioning systems (SKY and VRV line) * with the BUSing® system. Direct connection to terminals P1 and P2 of the DAIKIN indoor units.

It allows to individually control the setpoint temperature, the measured temperature, the operation mode of the units (cooling, heating, ventilation, drying or automatic) and the ventilation speed (low, medium, high).

*For further details, compatibilities list must be checked.

Technical information

Supply – 9-16 Vdc from BUS

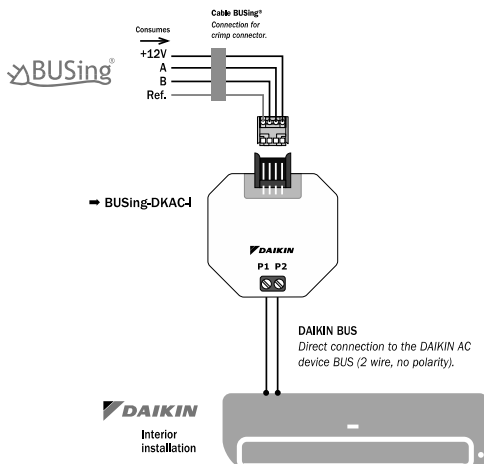
Consumption – 25 mA from BUS

Mounting – 45 x 45 x 10 mm to install in universal distribution boxes.

Environment temperature range - Operation: -10°C a 55°C / Storage: -30°C to 60°C / Transportation: -30°C a 60°C.

Regulation - According to the directives of electromagnetic compatibility and low voltage. EN 50090-2-2 / UNE-EN 61000-6-3:2007 / UNE-EN 61000-6-1:2007 / UNE-EN 61010-1. Resistance to residual currents CTI 175. Complementary characteristics Class L. Continuous operation Clean Environment Overvoltage immunity category II. Flammability category D.

Installation



Remarks

Upload of data generated in the SIDE via BUSing cable.

BUS maximum distance between each device: 300m.

Attention to supply (losses in the cable).

Feed low voltage lines (BUS and inputs) in separate ducting to that of power (230V) and outputs.

Use shielded flexible 4 wires x 0,22 mm² for the BUS.

QR Code

