

General description

The 4E8S is an on/off actuator composed of 8 potential-free relay outputs (dry contact) and 4 low voltage inputs (SELV) referred to the BUS earth. Besides, they include 2 logical gates programmable through SIDE (one AND gate and one OR gate).

As the outputs are potential free, they are recommended for three phase lighting control, blinds, control of air conditioning or watering electro valves, etc.

Capacity

Its 8 outputs allow to control 8 on / off electrical circuits or 4 blinds (2 outputs for each blind motor: raise phase and lower phase).

The switching capacity: 10A@230Vac / potential free relay output.

If necessary, insert a contactor to control higher power circuits.

Technical information

Supply – 230 Vac

Given current – 300 mA @ 12Vdc

Inputs - 4 low voltage inputs (SELV) referred to the BUS reference (minimum activation current 5mA).

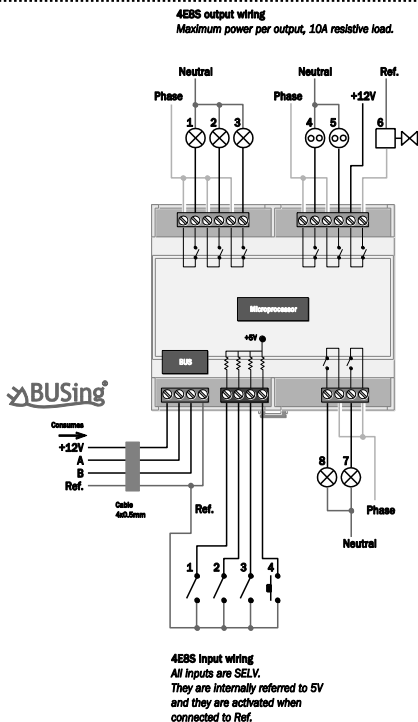
Outputs - 8 digital outputs – Cut off capacity: 10 A @230 Vac

Mounting –DIN rail (6 Modules)

Environment temperature range - Operation: from -10°C to 55°C / Storage: from -30°C to 60°C / Transportation: from -30°C to 60°C.

Regulation - According to the directives of electromagnetic compatibility and low voltage •EN 50090-2-2 / UNE-EN 61000-6-3:2007/ UNE-EN 61000-6-1:2007 / UNE-EN 61010-1.

Installation



Remarks

- It is recommended to distribute power supplies and to take care with wire section to avoid voltage drops in the BUS line.
- Feed low voltage lines (BUS and inputs) in separate ducting to that of power (230V) and outputs.
- Use flexible shielded 4 x 0,22 or 2 x 0,5mm² + 2 x 0,22 mm² cable for the BUS.

⚠ DO NOT INSTALL AND/OR HANDLE IN VOLTAGE. RISK OF FAILURE AND/OR PHYSICAL DAMAGE.

QR-Code

