

General description

The RU2S200 is a universal dimmer with two channels, maximum 200 W per channel. This device is indicated for LED, incandescent or halogen lighting with or without transformers.

Designed to obtain a precise digital regulation receiving commands from other BUSing devices or from conventional push buttons connected to its inputs, using long or short keystrokes.

The regulating ramp speed as well as the maximum or minimum regulation values can be configured (on/off lighting) and other dimming characteristics can be configured by means of programming.

Capacity

It has 2 low voltage inputs (SELV) for conventional push buttons (not programmable and linked to the corresponding outputs). Thermic protection. Digital regulation based on a Micro-Controller with more than 200 regulation points. In case of drop of voltage the device will recover the last status.

Technical information

Supply – 230 Vac and 9-16Vdc from BUS.

Current Consumption – 30 mA @ 12Vdc

Inputs - 2 low voltage inputs (SELV) for conventional push buttons (not programmable and linked to the output of the device).

Outputs – 2 regulation channels for LED lighting

Maximum load - 200W per channel

Minimum required load - 10W per channel

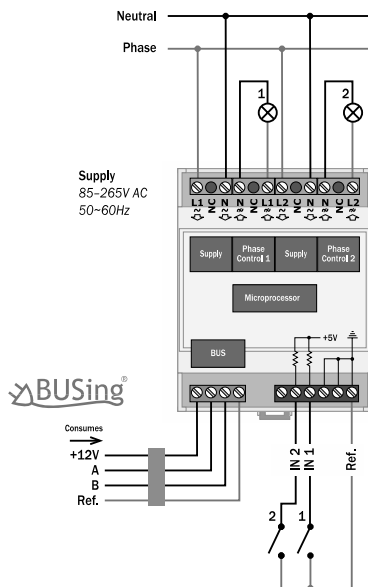
Mounting – Din rail, 4 modules.

Environment temperature range - Operation: from -10°C to 55°C / Storage: from -30°C to 60°C / Transportation: from -30°C to 60°C.

Regulation - According to the directives of electromagnetic compatibility and low voltage. EN 50090-2-2 / UNE-EN 61000-6-3:2007 / UNE-EN 61000-6-1:2007 / UNE-EN 61010-1.

Installation

RU2S200 output wiring
Maximum power per output 200W.



RU2S200 input wiring
All inputs are SELV.
They are internally referred to 5V and they are activated when connected to Ref.

Remarks

- Feed low voltage line (BUS and inputs) in separate ducting to that of power (230V) and outputs.
- Use for the bus flexible shielded 2 wires x 0,5mm² + 2 wires x 0,22mm².
- Follow a colour code for the BUS. Our ref: Red +12V, Yellow: A, Green: B, Black: Ref.

⚠ DO NOT INSTALL AND/OR HANDLE IN VOLTAGE. RISK OF FAILURE AND/OR PHYSICAL DAMAGE.

QR-Code

