

Mechanical control

CT454420 v1.2

General description

The CT454420 is a KNX input module for adapting mechanical controls. This device has 4 digital low voltage inputs (SELV) referred to an internal reference to connect conventional pushbuttons or switches and 4 outputs for the control of signalling LEDs which can work independently or simultaneously.

This input and output device is designed to be installed in mechanism boxes, behind the mechanisms, being especially useful to distribute the installation and to execute different events through the KNX bus.

Features

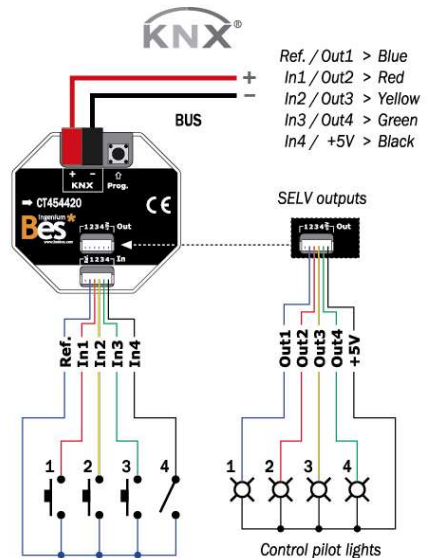
- 4 digital inputs being possible to program KNX bus events for activation or deactivation of each.
- Programmable inputs to work with switches or push-buttons.
- Each input can work independently or simultaneously in different modes: binary inputs, shutter/blinds or dimmer inputs.
- 4 digital low-voltage outputs which allow to control signalling LEDs.

Technical information

Installation

Supply	29V _{DC} from KNX BUS
Consumption	9mA + Outputs consumption
Mounting	Built-in on universal distribution box.
Size	45x45x10mm
Connections	KNX connecting terminal bus. Micro-quick connector inputs.
Inputs	4 low voltage inputs (SELV) referred to an internal reference (minimum activation current 15mA)
Outputs	4 low voltage outputs
Maximum output current	80mA per output
Max cabled distance	30 meters

Environment temperature range	Operation: from -10°C to 55°C / Storage: from -30°C to 60°C / Transportation: from -30°C to 60°C
Regulation	According to the directives of electromagnetic compatibility and low voltage. EN 50090-2-2 / UNE-EN 61000-6-3:2007 / UNE-EN 61000-6-1:2007 / UNE-EN 61010-1



Observations

Install low voltage lines (KNX bus and inputs) in a ducting separated from the power (230V) and outputs lines ducting to ensure there is enough insulation and avoid interferences.

Do not connect the main voltages (230V) or any other external voltages to any point of the KNX bus or inputs.

QR code

