

General description

CT431640 is an actuator composed of 16 potential-free relay outputs (dry contact). Besides, manual control is added in order to test the outputs and LED indicators of the status and selection of them. For this, capacitive push-buttons are on the cover of the device, as well as LED indicators for selection and on/off of the outputs.

Two arrows allow to move between the different leds referred to the corresponding output. Leds blink while signaling the output.; but when on is pressed, the led stops blinking for a second and start blinking again. On/off buttons open/close the outputs relay.

Each output could work independently or simultaneously in different modes: binary outputs, blinds, fan-coils or thermo-valves. It also has up to 8 arithmetic and logic units (UAL), as well as up to 8 timers/counters that allow programming complex logic operations, timings, counters, etc. Using internal or external variables.

Characteristics

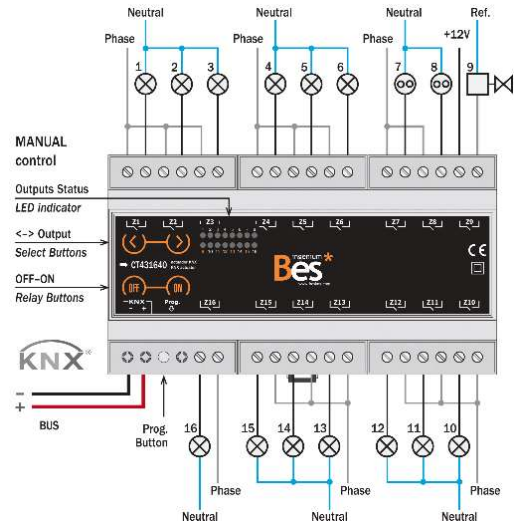
- Its 16 outputs allow to control 16 on/off electrical circuits, 8 blinds (2 outputs for one blind motor: up phase and down phase) 4 thermo-valves or 4 fan-coil.
- The cut off capacity is 16A@230V_{AC} / potential free relay output. If necessary, insert a contactor to control higher power circuits.
- 4 capacitive push-buttons for manual control of the outputs.
- Last position memory in case of power failure.

Technical information

Supply	29Vdc from KNX BUS
Consumption	10 mA from KNX BUS
Mounting	DIN Rail (9 modules)
Connections	KNX connecting terminal bus Screw terminal block for inputs and outputs.
Inputs	4 capacitive push-buttons for manual control of the outputs.
Outputs	16 digital outputs (potential-free relay) 16A@230V _{AC} cut-off capacity. 16 LED indicators on the cover
Breaking power	16A @ 230Vac
Environment temperature	Operation: from -10°C to 55°C / Storage: from -30°C to 60°C /

range	Transportation: from -30°C to 60°C
Regulation	According to the directives of electromagnetic compatibility and low voltage. EN 50090-2-2 / UNE-EN 61000-6-3:2007 / UNE-EN 61000-6-1:2007 / UNE-EN 61010-1

Installation



Observations

Install low voltage lines (KNX bus and inputs) in a ducting separated from the power (230V) and outputs lines ducting to ensure there is enough insulation and avoid interferences.

Do not connect the main voltages (230V) or any other external voltages to any point of the KNX bus or inputs.

QR Code

