

## General description

CT432240 is an actuator composed of 22 potential-free relay outputs (dry contact). Besides, manual control is added in order to test the outputs and LED indicators of the status and selection of them. For this, capacitive push-buttons are on the cover of the device, as well as LED indicators for selection and on/off of the outputs.

Two arrows allow to move between the different leds referred to the corresponding output. Leds blink while signaling the output.; but when on is pressed, the led stops blinking for a second and start blinking again. On/off buttons open/close the outputs relay.

Each output could work independently or simultaneously in different modes: binary outputs, blinds, fan-coils or thermo-valves. It also has up to 8 arithmetic and logic units (UAL), as well as up to 8 timers/counters that allow programming complex logic operations, timings, counters, etc. Using internal or external variables.

## Characteristics

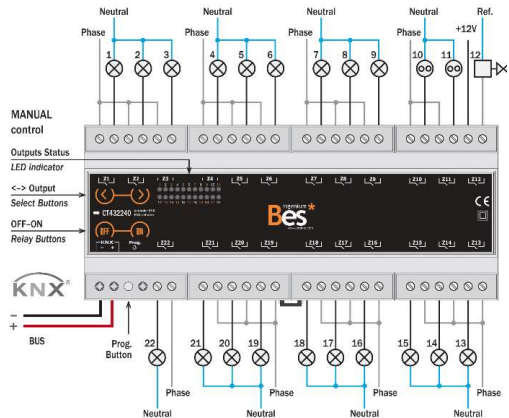
- Its 22 outputs allow to control 22 on/off electrical circuits, 11 blinds (2 outputs for one blind motor: up phase and down phase) 22 thermo-valves or 5 fan-coil.
- The cut off capacity is 16A@230V<sub>AC</sub> / potential free relay output. If necessary, insert a contactor to control higher power circuits.
- 4 capacitive push-buttons for manual control of the outputs.
- Last position memory in case of power failure.

## Technical information

<b>Supply</b>	29Vdc from KNX BUS
<b>Consumption</b>	10 mA from KNX BUS
<b>Mounting</b>	DIN Rail (12 modules)
<b>Connections</b>	KNX connecting terminal bus Screw terminal block for inputs and outputs.
<b>Inputs</b>	4 capacitive push-buttons for manual control of the outputs.
<b>Outputs</b>	22 digital outputs (potential-free relay) 16A@230V <sub>AC</sub> cut-off capacity. 22 LED indicators on the cover
<b>Breaking power</b>	16A @ 230Vac
<b>Environment temperature</b>	Operation: from -10°C to 55°C / Storage: from -30°C to 60°C /

<b>range</b>	Transportation: from -30°C to 60°C
<b>Regulation</b>	According to the directives of electromagnetic compatibility and low voltage. EN 50090-2-2 / UNE-EN 61000-6-3:2007 / UNE-EN 61000-6-1:2007 / UNE-EN 61010-1

## Installation



## Observations

Install low voltage lines (KNX bus and inputs) in a ducting separated from the power (230V) and outputs lines ducting to ensure there is enough insulation and avoid interferences.

Do not connect the main voltages (230V) or any other external voltages to any point of the KNX bus or inputs.

## QR Code

