

## General description

The device GW612110, is a bidirectional communication gateway between KNX protocol and DMX 512 protocol.

This device can work as a DMX master to regulate up to 48 DMX channels simultaneously and execute scenes or complex sequences, and also work as a DMX slave in order to send feedbacks to the KNX home automation system.

Thanks to this gateway it is possible to develop the integration of a DMX device or system into a KNX home automation installation, and regulate individually each DMX channel in a simple way like any other KNX dimmer or to program a complex group of commands into several sequences.

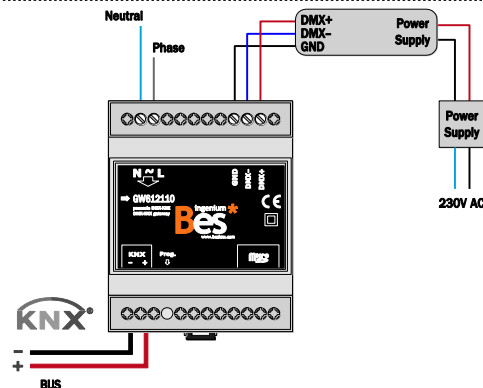
## Characteristics

- Bidirectional KNX-DMX gateway: Master or slave working mode.
- Controls up to 48 DMX channels simultaneously.
- Up to 8 scenes with memorization function.
- Up to 8 programmable sequences with the possibility of simultaneous execution.
- Last position memory in case of power failure.

## Technical information

<b>Supply</b>	230 Vac
<b>Consumption</b>	2,6 VA @ 230V <sub>AC</sub>
<b>KNX supply</b>	29 Vdc
<b>BUS current consumption</b>	1 mA from KNX bus
<b>Connections</b>	KNX connecting terminal bus Screw terminal block for power and DMX bus
<b>Mounting / size</b>	DIN rail / 4 modules
<b>Environment temperature range</b>	Operation: from -10°C to 55°C Storage: from -30°C to 60°C Transportation: from -30°C to 60°C
<b>Regulation</b>	According to the directives of electromagnetic compatibility and low voltage. EN 50090-2-2 / UNE-EN 61000-6-3:2007 / UNE-EN 61000-6-1:2007 / UNE-EN 61010-1

## Installation



## Observations

Install low voltage lines (KNX bus and inputs) in a ducting separated from the power (230V) and outputs lines ducting to ensure there is enough insulation and avoid interferences.

Do not connect the main voltages (230V) or any other external voltages to any point of the KNX bus or inputs.

## Further information

